

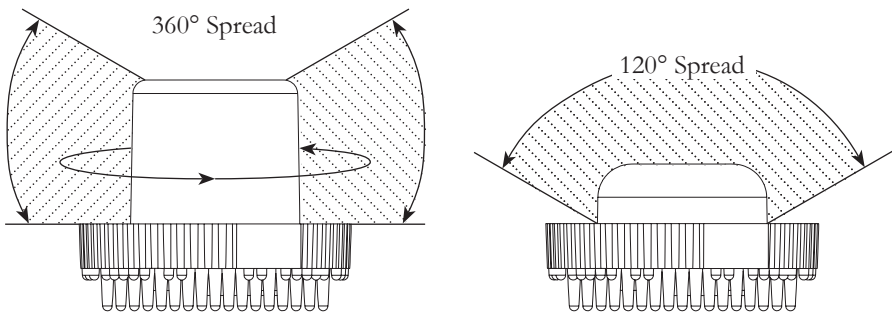
Installation and Operational Guide

This manual serves as a guide for the Cannon™ LED hide-a-way.

Automotive Lamp Installation Instructions:

In this installation method, the Cannon™ LED will share the same reflector as the taillight, headlight or brake light. Make sure the Cannon™ LED does not interfere with the operation of these lights. The Cannon™ LED is designed to function with its inline driver.

1. Follow OEM instructions on how to remove the headlight or taillight reflector assembly from the vehicle.
2. Locate a flat surface in the bottom of the housing and cut a 1" diameter hole in the housing with the use of a hole saw. Make sure to deburr the hole thoroughly.
3. Place the Cannon™ LED into the reflector housing and mark the spot for the two mounting holes. Remove the Cannon™ LED and drill two, 2 mm holes.
4. Insert the Cannon™ LED from the back or bottom of the headlight/taillight, as close to the focal point as possible.
5. Screw in the Cannon™ LED using the provided hardware and secure it to the reflector assembly.
6. Remount the headlight or taillight assembly in the vehicle and follow the provided wiring instructions.



Wire:	Function:
Red:	Positive, Mode 1
Yellow:	Positive, Mode 2, Overrides Mode 1
Green:	Positive, Mode 3, Overrides Mode 2
Blue:	Flash Pattern Changer/Sync
Black:	Negative, Ground

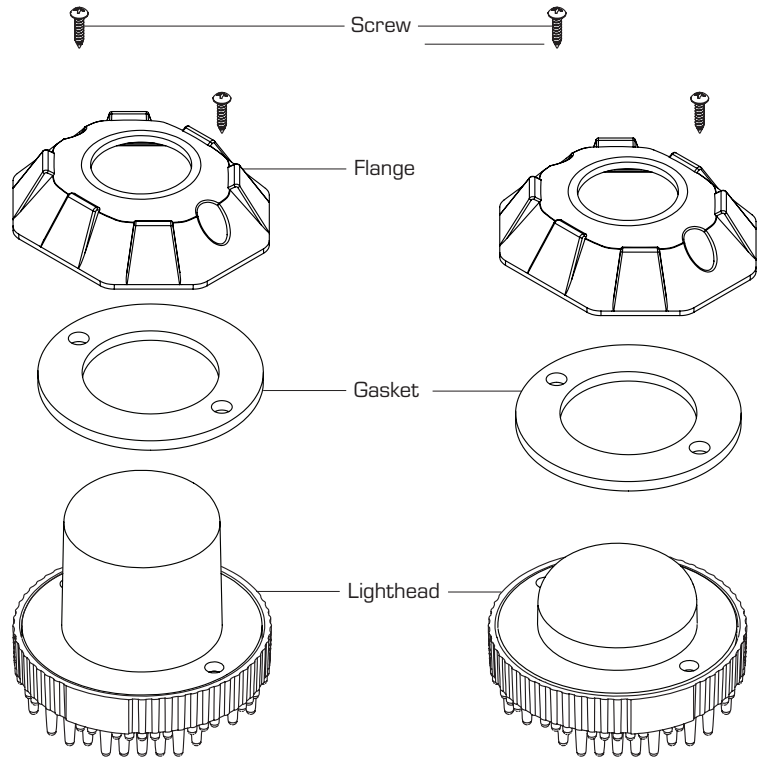
For changing the lens from the 120° to 360° Lens

The cannon has the 120° lens installed when sold. To remove the 120° lens and replace it with the 360° lens and reflector, follow the steps listed below:

- 1.) Remove the 120° lens, by pushing the tabs on each side of the bottom of the LED heatsink towards the center of the cannon with a flat screwdriver. The lens will gently pop off. Please do not remove the o-ring from the heatsink.
- 2.) Unscrew the torx screw from the heatsink that is securing the LED board. Do not damage or touch the LEDs on the board. Remove the screw and leave the board flat against the heatsink.
- 3.) Place the chrome reflector on top of the board with the nylon washer in between the LED board and reflector, ensuring that the center hole of the reflector with the hole of the board and heatsink are lined up. Place the newly supplied screw through the reflector and secure the reflector and board to the heatsink at a torque setting of 1 lb/ins. (Note: The Cannon 360° screw is different than the Cannon 120° screw)
- 4.) Verify the reflector and board are firmly secured to the heatsink and then add the 360° lens to the assembly, by pushing the tabs on each end of the lens through the heatsink. Be sure the tabs engage the heatsink.

Color: Red Blue Amber White Green

How to install Bezel Kit.



Wiring Diagram

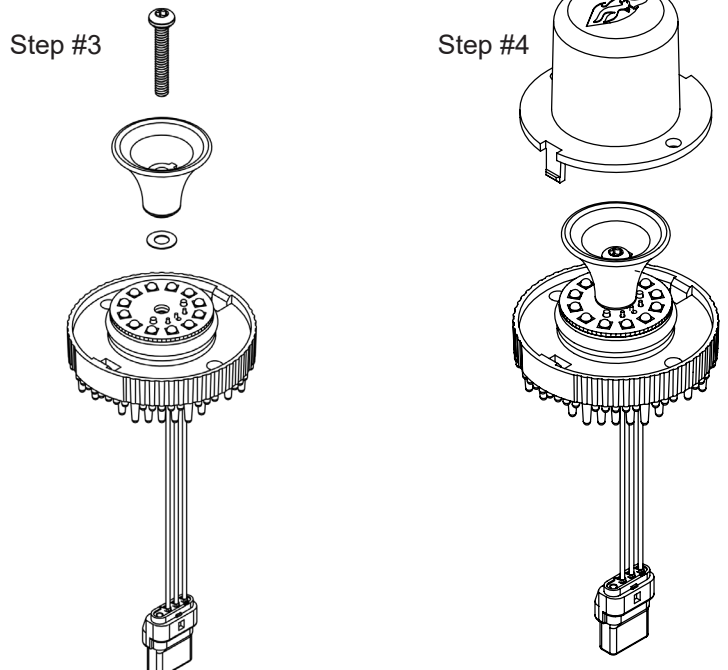
Note: Mode 2 overrides mode 1 and mode 3 overrides modes 2 and 1.

Wiring Instructions:

1. To activate the unit, extend the red (+), yellow (+) or green (+) wire to a 12V post. Extend the black (-) wire to the ground post of the vehicle's battery.
2. Momentarily connect the blue wire to the activated ground (12V-), black wire to cycle through the flash patterns.
3. Synchronization: To Sync two or more light heads together:
 - A. Apply 12V+ power to the red (+) yellow (+) or green (+) wire and apply 12V- to the black wire to power the unit on.
 - B. Cycle through all patterns by tapping the blue (flash pattern changer) wire to the activated black, ground wire until the steady burn pattern is selected. Please note that this step must be repeated per lighthouse and per applicable mode wires. Repeat steps A and B on the next unit.
 - C. Connect one of the same colored mode wires (red, yellow or green) of the two light heads together; connect the black wires of the light heads together and then connect the blue wires of the light heads together.

To Alternate Light Heads:

- D. Follow Steps A-B.
- E. For the light heads to alternate, one light head must be set as master and the other as slave on the mode wire intended for use. To do so, hold the blue (flash pattern changer) wire to ground for 3 seconds. If all LEDs turn on this indicates master mode. If half the LEDs activate this indicates slave mode. Set one unit as master and the other as slave.
- F. Follow Step C. Change patterns by tapping the blue wire to the activated black, ground wire.



FLASH PATTERNS

This manual serves as a guide for the Cannon.

SINGLE COLOR

- 1 Single Slow
- 2 Single Fast
- 3 Single Combo
- 4 Double Slow
- 5 Double Fast
- 6 Double Combo
- 7 Triple Slow
- 8 Triple Fast
- 9 Triple Combo
- 10 Brake Pop
- 11 Steady On

TOTAL = 11

DUAL COLOR

- 1 Color 1- Single Slow
- 2 Color 1- Single Fast
- 3 Color 1- Single Combo
- 4 Color 1- Double Slow
- 5 Color 1- Double Fast
- 6 Color 1- Double Combo
- 7 Color 1- Triple Slow
- 8 Color 1- Triple Fast
- 9 Color 1- Triple Combo
- 10 Color 2- Single Slow
- 11 Color 2- Single Fast
- 12 Color 2- Single Combo
- 13 Color 2- Double Slow
- 14 Color 2- Double Fast
- 15 Color 2- Double Combo
- 16 Color 2- Triple Slow
- 17 Color 2- TripleFast
- 18 Color 2- Triple Combo
- 19 Color 1&2 / No Off Time-Single Slow
- 20 Color 1&2 / No Off Time-Single Fast
- 21 Color 1&2 / No Off Time- Single Combo
- 22 Color 1&2 / No Off Time- Double Slow
- 23 Color 1&2 / No Off Time- Double Fast
- 24 Color 1&2 / No Off Time- Double Combo
- 25 Color 1&2 / No Off Time- Triple Slow
- 26 Color 1&2 / No Off Time- Triple Fast
- 27 Color 1&2 / No Off Time- Triple Combo
- 28 Color 1&2 /Off Time- Single Slow
- 29 Color 1&2 /Off Time- Single Fast
- 30 Color 1&2 /Off Time- Single Combo
- 31 Color 1&2 /Off Time- Double Slow
- 32 Color 1&2 /Off Time- Double Fast
- 33 Color 1&2 /Off Time- Double Combo
- 34 Color 1&2 /Off Time- Triple Slow
- 35 Color 1&2 /Off Time- Triple Fast
- 36 Color 1&2 /Off Time- Triple Combo
- 37 Color 1- Brake Pop
- 38 Color 2- Brake Pop
- 39 Color 1- Steady On
- 40 Color 2- Steady On

TOTAL = 40